

TRM 35/21: TRADITION RENEWED

TRM 35/21 is the renewed version of legendary crane mount piling equipment, designed to heavy duty piling projects.

TRM 35/21 main components are:

- upper frame fitted with the rotary table, torque converter and diesel engine;
- demountable basic frame complete with positioning rams;

Features

TRM 35/21 model is manufactured with high tensile steel frames ready to be mounted to any crane having a minimum 40 ton capacity and a 10 ton minimum single line pull.

123 kW water cooled diesel engine is installed and coupled with mechanical torque converter to develop 21000 kgm torque.

The unit can drill piles from 550 up to 2500 mm diameter. Its rotary table is supplied with a two crowd cylinder kelly system developing 156 kN friction pull-down force.

TRM 35/21 is supplied with a mechanical wire remote control board to be installed inside the operator's cabin of the base crane for easy operations.

Control gauges, fuel and oil level indicators, rpm counter are assembled in a check panel applied to the upper frame of the rig, located in a favorable position to the operator.

The equipment can be also supplied with optional higher frame to elevate the piling equipment above casing pipes.

Top quality components

TRM 35/21 is fitted with first class components after accurate quality controls to guarantee enduring operations with low cost maintenance.

Kelly bars and tools

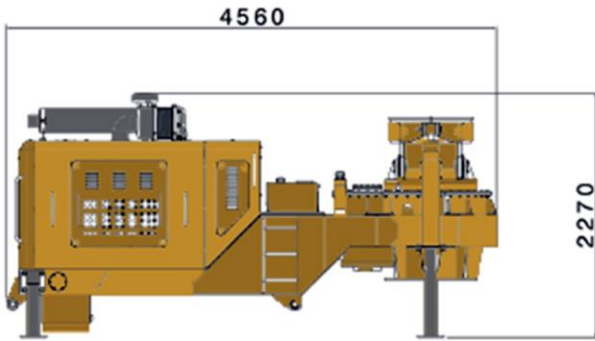
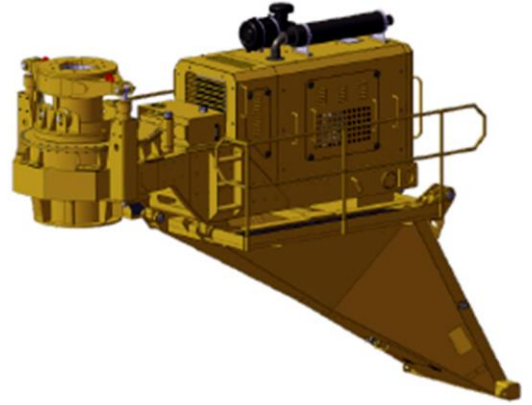
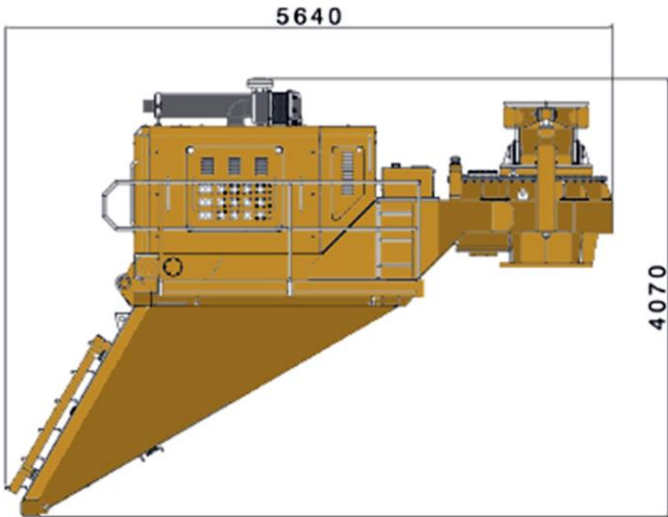
TRM 35/21 rig can be equipped with telescopic friction kelly bars, all manufactured with high quality certified mechanical pipes and special alloy guides and terminal joints. Kelly bars can be made of 4 or 5 telescopic elements to reach 85 meters maximum depth.

GEOMECC can also provide the necessary standard and heavy duty buckets, augers, core barrels, chisels, casings.

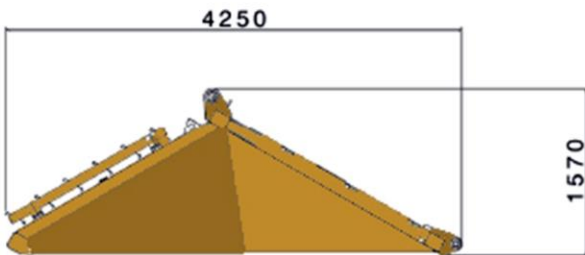
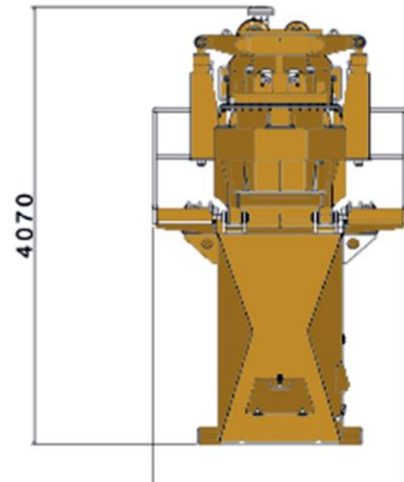
TRM 35/21 - Dati tecnici - Technical data

COPPIA DI PERFORAZIONE	DRILLING TORQUE	kNm	210
Velocità di rotazione	Drilling speed	rpm	13 - 135
Diametro di perforazione	Drilling dia.	mm	550 - 2500
Profondità di scavo max.	Drilling depth max.	M	85
SISTEMA PULL-DOWN	CROWD SYSTEM		
Corsa pull-down	Crowd stroke	Mm	550
Forza di spinta	Crowd force	kN	156
COMPONENTI	COMPONENTS		
Motore diesel	Diesel engine	kW/HP	119/160
Convertitore di coppia	Torque converter	type	CRT 3531-3 TC 370
Marce	Gears - front/reverse	nos.	3 + 3
DIMENSIONI E PESI	DIMENSIONS AND WEIGHTS		
Rotary standard	Standard rotary	kg	5850
Supporto standard	Standard support	kg	1400
Supporto alto	High support	kg	2600
ASTE TELSCOPICHE	TELESCOPIC KELLY BARS*		
Asta standard a frizione	Standard friction kelly bar	type	4 x 12 m (kg 4650)
Asta max. lunghezza	Long friction kelly bar	type	4 x 17 m (kg 6390)
CARATTERISTICHE GRU BASE	BASE CRANE REQUIREMENTS		
Portata minima gru base	Base crane min. capacity	ton	40
Argano gru base min	Crane winch capacity min.	ton	10

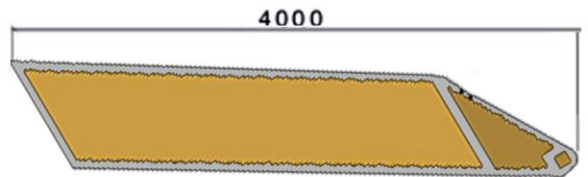
* Other Kelly Bar lengths available on request



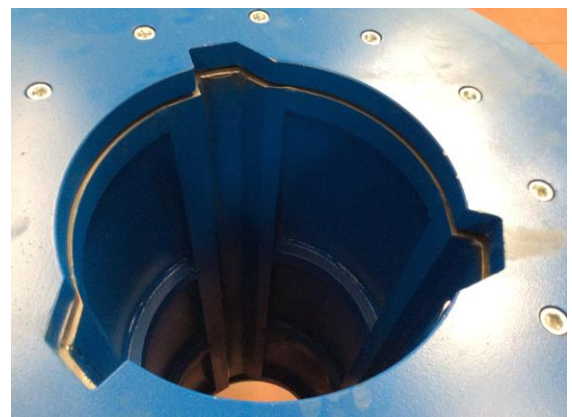
DRILLING UNIT

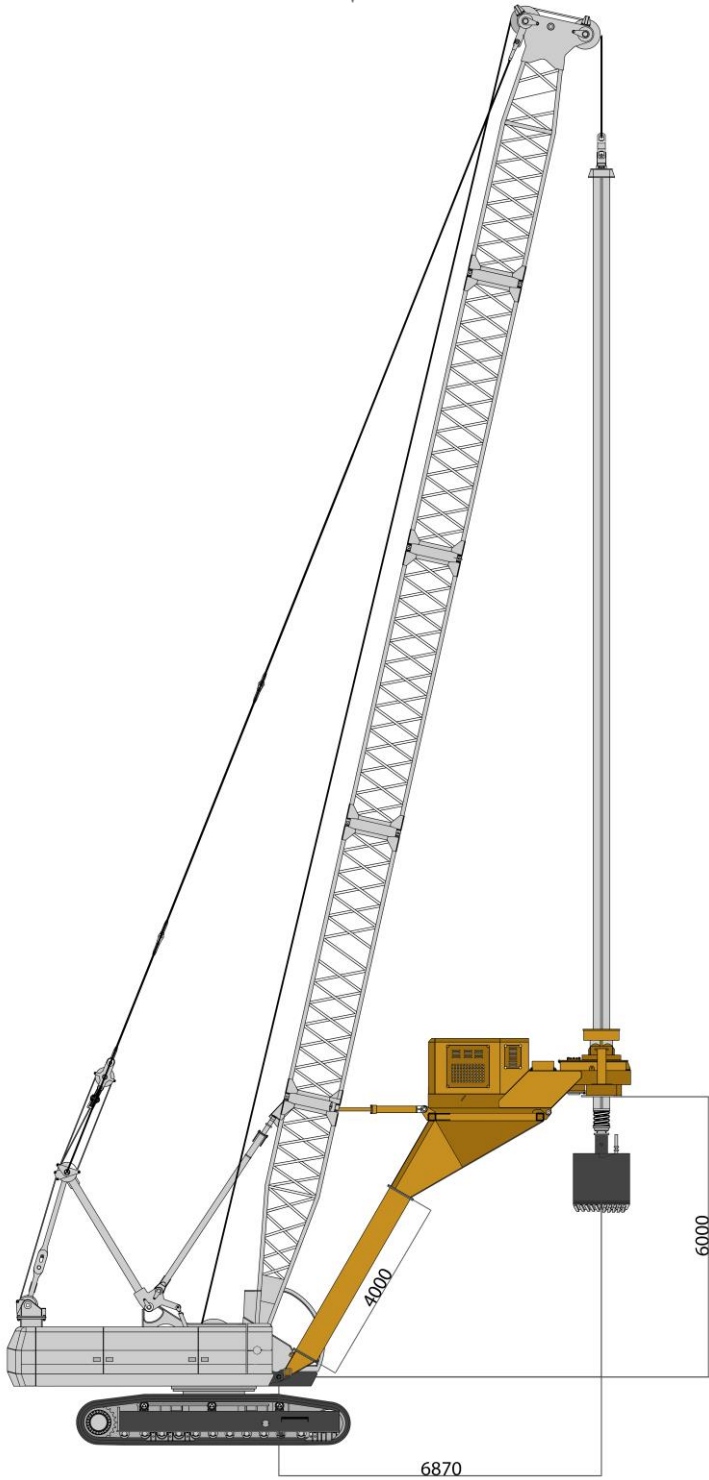


STANDARD SUPPORT



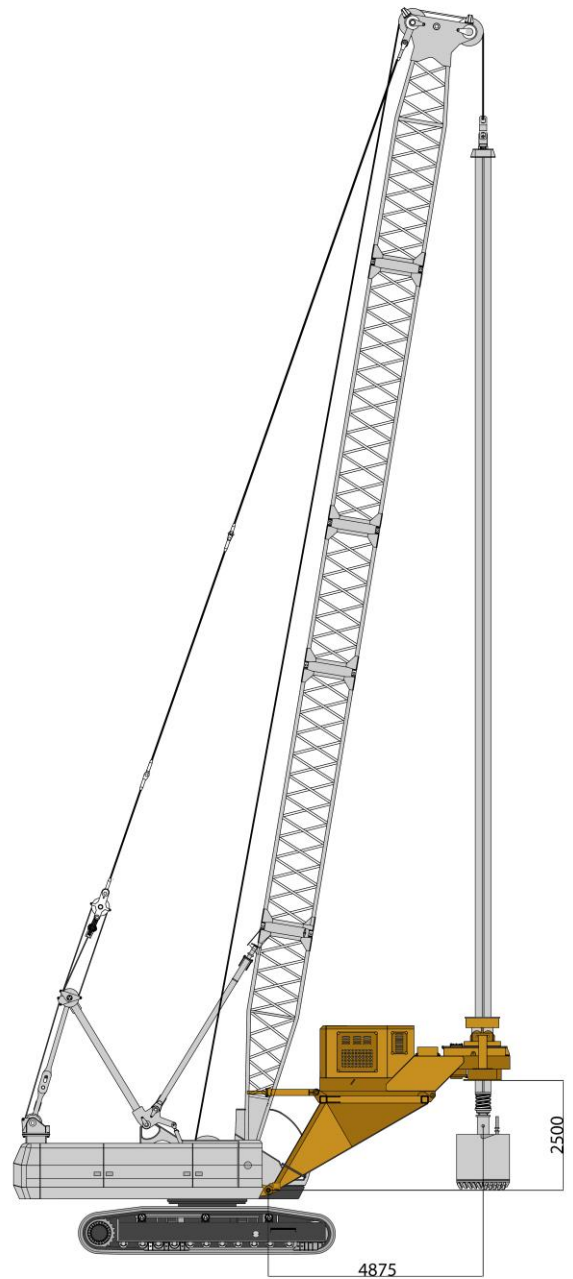
SUPPORT EXTENSION





HIGH SUPPORT

MIN. CRANE REQUIREMENT 50 Ton



STANDARD SUPPORT

MIN. CRANE REQUIREMENT 40 Ton

CMV

TRM 35/21
Mechanical Piling Rig



CMV

TRM 35/21
Mechanical Piling Rig

